

L10

BP - PVC









Load capacity up to 40kg

RIG Made of stamped steel plate and swivel head with double ball raceway, zinc-plated finish. Bolted wheel axle.









Wheel

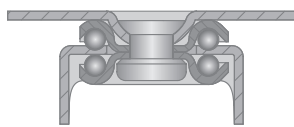
BP - Thermoplastic Compound with PVC. Hardness: 80 Shore A. (-10°C to +50°C)
Produced with recyclable thermoplastic compound with PVC tread and polypropylene copolymer wheel center. They offer a soft and quiet rolling, great floor protection, good chemical, wear and impact resistance, resulting in an excellent cost-benefit ratio. Nominal working speed is up to 4km/h.

Swivel Caster	Rigid Caster	Wheel				Axle Type (bearing)					
Reference	Reference	Reference	(mm)	(mm)	(pol)		KG	(mm)	w/o brake (mm)	w/ brake FP (mm)	w/ brake FPI (mm)
GL 158 BP	-	R 158 BP	41	17	1/4"	Plain Bearing	25	57	41	-	-
GL 210 BP	FL 210 BP	R 210 BP	50	19			30	67	45	78	75
GL 310 BP	FL 310 BP	R 310 BP	75				35	92	65	94	89
GL 410 BP	-	R 410 BP	100				40	122	89	111	-

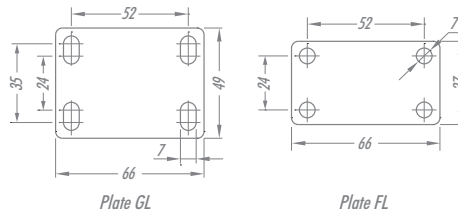
Fittings/Accessories

						
	Axle hole 10mm	Threaded Stem 3/8" x 25mm	Threaded Stem 3/8" x 50mm	Stem Ø7/16" X 50mm	Nylon Socket Ø15mm X 32mm	Nylon Socket Fitting
Reference	LES	LE	LEX	LEL	LELSJ	See table below

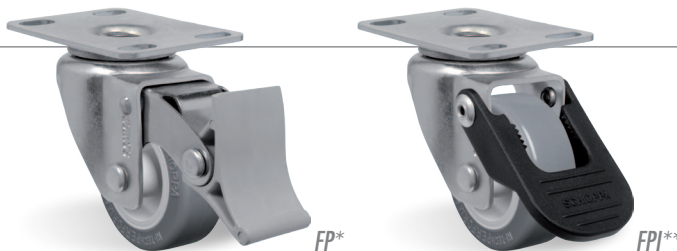
Swivel Sections



Top Plate Options



Brake Options



NYLON SOCKET FITTING	
SIZE (mm)	REFERENCE
Ø38	S1
Ø30	S2
Ø25	S3
40 x 40	S4

* 210/310/410
** 210/310